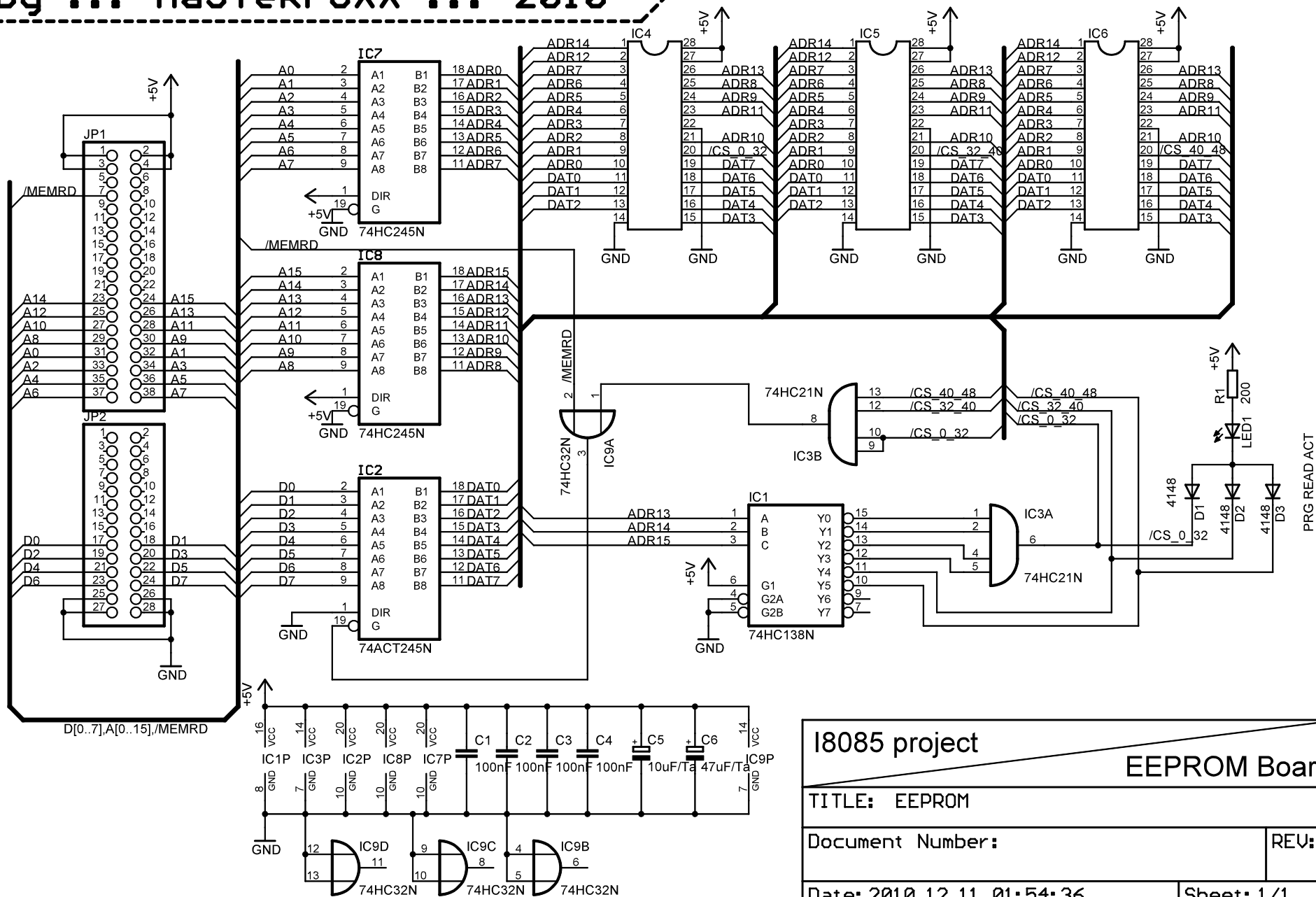


by ::: MaSTeRFoXX ::: 2010



I8085 project		EEPROM Board	
TITLE: EEPROM			
Document Number:		REV:	
Date: 2010.12.11 01:54:36		Sheet: 1/1	