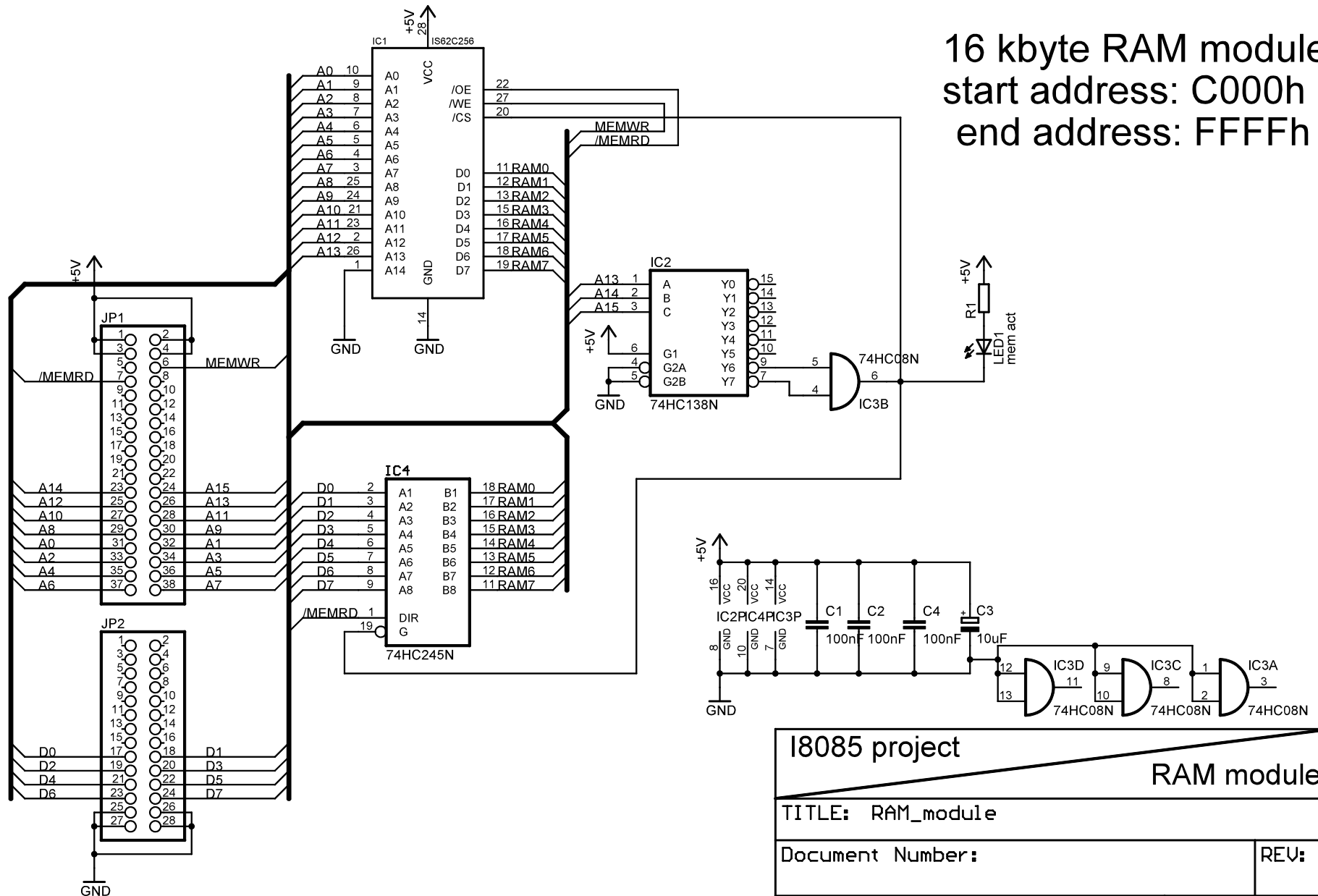


by: ::: MaSTeRFoXX ::: 2010

16 kbyte RAM module
 start address: C000h
 end address: FFFFh



18085 project		RAM module	
TITLE: RAM_module			
Document Number:			REV:
Date: 2010.08.24 15:57:26			Sheet: 1/1